

SMART HYDRAULIC HATCH

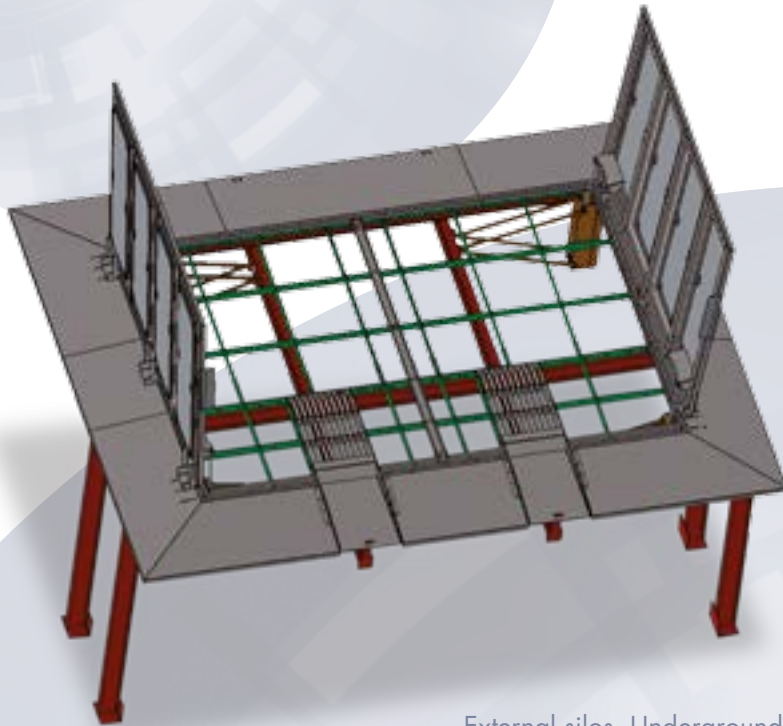
- Single-wing / double-wing design for automatic filling and storage of biomass
- Complete set of hydraulic pistons, hydraulic aggregate and mains
- Atmospheric precipitation resistant design with moisture exhaustion system
- Design variant with supporting ramps and protective barriers
- Remote control
- Light and sound indication of movement and warning marking at full opening
- Monitoring and indication of material level in the silo together with design of its filling
- Protecting grid against falling into the silo
- Service opening for emergency entry into the silo

SMART HYDRAULIC HATCH

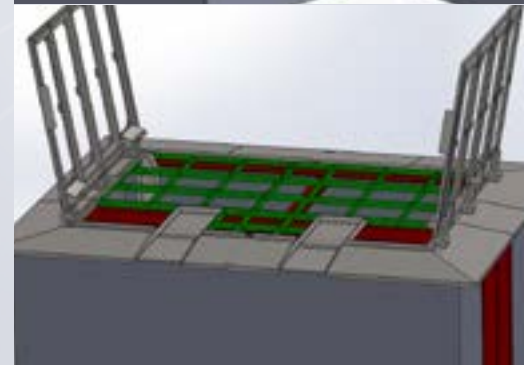
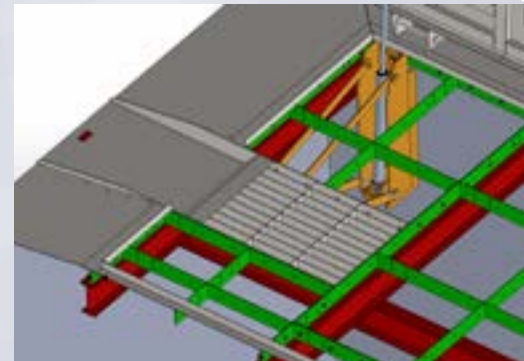
Purity to Nature
Savings to Clients
Comfort to Users



ISO 9001:2009



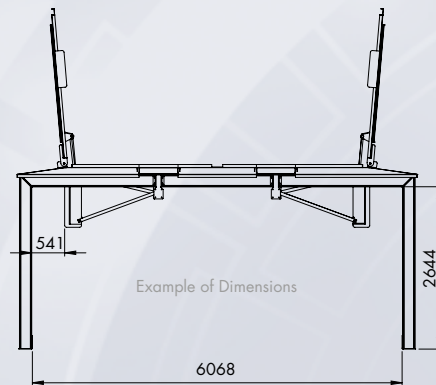
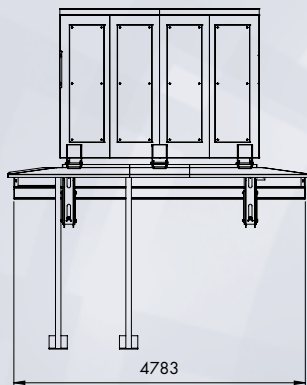
Specification and design:



Use:
External silos, Underground silos,
Container silos

Dimensions:

Minimum – Maximum dimensions of the manhole: 1 x 1 m – 6 x 6 m



Example of Dimensions

Photo Gallery →



Be-Heating sprl
Z.I. des Hauts-Sarts
1er Avenue, 22-40
B- 4040 Herstal

www.be-heating.be
info@be-heating.be
Phone: +32 490 44 77 20